



Geant4: A Simulation toolkit

O. Stézowski and M. Pinto



With many thanks to the Geant4 community !!!!

The roadmap of the week

W1: installation / running a G4 application

Why?

W2: Primary generator, GPS, physics list

W3: Geometries !

W4: Sensitive detectors / user's actions

w1: 3:00, Monday
w2: 3:00, Tuesday
w3: 4:30, Wednesday
w4: 3:00, Thursday

NOW, HOW does it really work ?



The user's application

Building an application requires to put together 3 mandatory bricks*

the detector construction - **the description of the physics** - **the primary generator**

```
class ARedSphereConstruction : public G4VUserDetectorConstruction
{
// the virtual method to be implemented by the user
  virtual G4VPhysicalVolume* Construct();
};
```

+
many other hooks
but
not mandatory

```
class AGammaGun : public G4VUserPrimaryGeneratorAction
{
// the virtual method to be implemented by the user
  virtual void GeneratePrimaries(G4Event* anEvent);
};
```

```
class AnElectroMagneticPhysicsList: public G4VUserPhysicsList
{
// the virtual method to be implemented by the user
  void ConstructParticle();
// the virtual method to be implemented by the user
  void ConstructProcess();
// the virtual method to be implemented by the user
  void SetCuts();
};
```

```
// The User's main program to control / run simulations
int main(int argc, char** argv)
{
// Construct the run manager, necessary for G4 kernel to control everything
  G4RunManager *theRunManager = new G4RunManager();

// Then add mandatory initialization G4 classes provided by the USER
  // detector construction
  // physics list
  // initialisation of the generator

  theRunManager->SetUserInitialization( new ARedSphereConstuction() );
  :
  return 0;
}
```


W3: Geometries !

Volumes - general aspects

Definition of materials

Definition shapes

All bricks together

Exportation / importation



The user's application

A detector geometry is made of a number of volumes

Requirements to write the method **Construct()** i.e. the full setup of the simulation

- Construct all necessary materials
- Define shapes / solids
- Define logical volumes
- Place volumes of your detector geometry
- Associate (magnetic) field to geometry (*optional*)
- Instantiate sensitive detectors / scorers, set them some logical volumes (*optional*)
- Define visualization attributes for the detector elements (*optional*)
- Define regions (*optional*)

Not covered
in this lecture

Not covered in this lecture

see workshop #4



Geant4 defines two kind of volume

a **G4LogicalVolume** is used to keep the characteristics of a volume

a **G4VPhysicalVolume** is used to place (translation, rotation)

a logical volume with respect to a mother volume.

➡ There is a top volume which is called the World Volume !

G4LogicalVolume contains:

G4Material [composition]

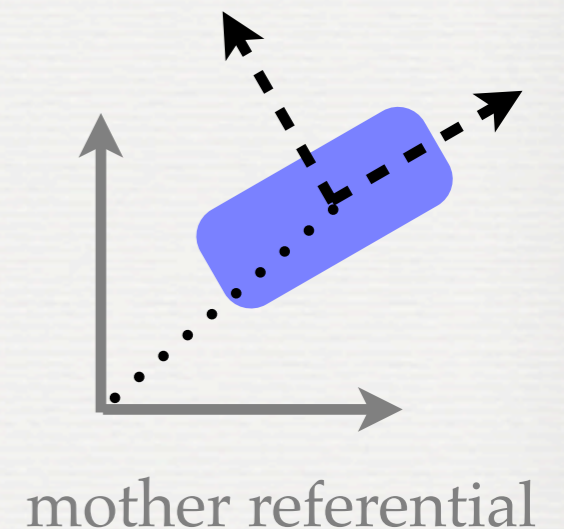
G4VSolid [shape]

G4VisAttributes [color]

...

G4VPhysicalVolume contains:

G4ThreeVector T
G4RotationMatrix R
copy #



The Construct method of **G4VUserDetectorConstruction**
returns a **G4VPhysicalVolume**, the world



Geant4 defines two kind of volume

a **G4LogicalVolume** is used to keep the characteristics of a volume

a **G4VPhysicalVolume** is used to place (translation, rotation)

a logical volume with respect to a mother volume.

➡ There is a top volume which is called the World Volume !

G4LogicalVolume contains:

G4Material [composition]

G4VSolid [shape]

G4VisAttributes [color]

...

list of physical volumes

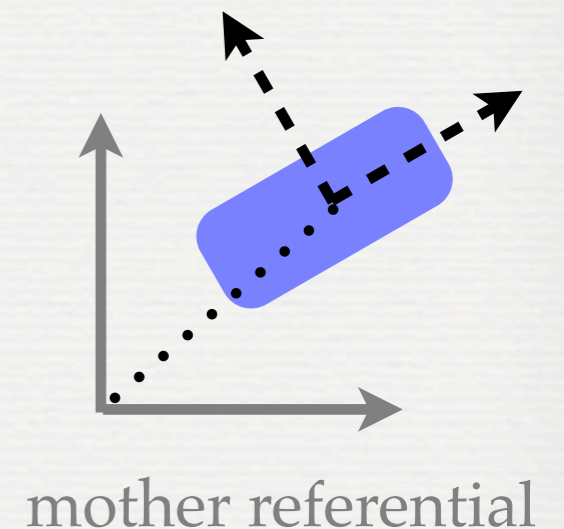


G4VPhysicalVolume contains:

G4ThreeVector T

G4RotationMatrix R

copy #



The Construct method of **G4VUserDetectorConstruction**
returns a **G4VPhysicalVolume**, the world

W3: Geometries !

Volumes - general aspects

Definition of materials

Definition shapes

All bricks together

Exportation / importation



Construct all necessary materials

Different kinds of materials can be defined:

- isotopes ↔ **G4Isotope**
 - elements ↔ **G4Element**
 - molecules ↔ **G4Material**
 - compounds and mixtures ↔ **G4Material**
- ↳ Attributes associated: temperature, pressure, state, density
- **G4Isotope** and **G4Element** describe microscopic properties of the atoms:
 - ↳ Atomic number, number of nucleons, mass of a mole, shell energies, cross-sections per atoms ...
 - **G4Material** describes the macroscopic properties of the matter:
 - ↳ temperature, pressure, state, density
 - ↳ Radiation length, absorption length, etc...
 - **G4Material** is the only class used and visible to the toolkit:
 - ↳ it is used by tracking, geometry and physics



Construct all necessary materials

Isotopes can be assembled into ...

```
G4Isotope (const G4String& name,  
           G4int   z,   /* atomic number */  
           G4int   n,   /* number of nucleons */  
           G4double a ); /*mass of mole*/
```

... elements

```
G4element (const G4String& name,  
           const G4String& symbol, /*element symbol*/  
           G4int   nIso );           /*n. of isotopes*/
```

```
// Germanium isotopes  
G4Isotope* Ge70 = new G4Isotope(name="Ge70", 32, 70, 69.9242*g/mole);  
G4Isotope* Ge72 = new G4Isotope(name="Ge72", 32, 72, 71.9221*g/mole);  
G4Isotope* Ge73 = new G4Isotope(name="Ge73", 32, 73, 72.9235*g/mole);  
G4Isotope* Ge74 = new G4Isotope(name="Ge74", 32, 74, 73.9212*g/mole);  
G4Isotope* Ge76 = new G4Isotope(name="Ge76", 32, 76, 75.9214*g/mole);  
// germanium defined via its isotopes  
G4Element* elGe = new G4Element(name="Germanium", symbol="Ge", 5);  
elGe->AddIsotope(Ge70, 0.2123);  
elGe->AddIsotope(Ge72, 0.2766);  
elGe->AddIsotope(Ge73, 0.0773);  
elGe->AddIsotope(Ge74, 0.3594);  
elGe->AddIsotope(Ge76, 0.0744);
```

} Fraction of atoms per volumes



Construct all necessary materials

... elements into materials ...

single element material

```
density = 2.7*g/cm3;
a = 26.98*g/mole;
G4Material *al = new G4Material(name="Aluminium",z=13.,a,density);
```

Example of materials filled with gas

```
density = 27.0*mg/cm3;
temperature = 325.*kelvin;
pressure = 50.*atmosphere;
G4Material *co2 =
    new G4Material(name="CarbonicGas",density,nel,
                  kStateGas,temperature, pressure);
co2->AddElement(c, natoms = 1);
co2->AddElement(o, natoms = 2);
```

```
atomicNumber = 1.;
massOfMole = 1.008*g/mole;
density = 1.e-25*g/cm3;
temperature = 2.73*kelvin;
pressure = 3.e-18*pascal;
G4Material *vacuum =
    new G4Material(name="interGalactic",
                  atomicNumber,massOfMolde,density,nel,
                  kStateGas,temperature, pressure);
```

absolute vacuum does not exist!
Gaz at very low pressure

composition of compound materials

```
G4Element *c = ... // carbone element
G4Material *quartz = ... // quartz material
G4Material *water = ... // water material

density = 0.200*g/cm3;
nel = 3;
G4Material *aerogel = new G4Material(name="Aerogel",density,nel);
aerogel->AddMaterial(quartz, natoms = 1);
aerogel->AddMaterial(water, natoms = 1);
aerogel->AddElement(c, natoms = 1);
```

A material made of several elements (composition by number of atoms)

```
a=22.99*g/mole;
G4Element *na = new G4Element(name="Sodium",symbol="Na",z=11.,a);
a=126.90477*g/mole;
G4Element *i = new G4Element(name="Iodine",symbol="I",z=53.,a);

density = 3.67*g/cm3;
nel = 2;
G4Material *mix = new G4Material(name="NaI",density,nel);
mix->AddElement(na, natoms = 1);
mix->AddElement(i, natoms = 1);
```

A material made of several elements (composition by of mass)

```
a=14.01*g/mole;
G4Element *n = new G4Element(name="Nitrogen",symbol="N",z=7.,a);
a=16.00*g/mole
G4Element *o = new G4Element(name="Oxygen",symbol="O",z=8.,a);

density = 1.29*mg/cm3;
nel = 2;
G4Material *air = new G4Material(name="Air",density,nel);
mix->AddElement(n, 0.7);
mix->AddElement(o, 0.3);
```




Construct all necessary materials

Geant4 provides defaults based on the NIST database*

Z A m error (%) A_{eff}

```

14 Si 22 22.03453 (22)
23 23.02552 (21)
24 24.011546 (21)
25 25.004107 (11)
26 25.992330 (3)
27 26.98670476 (17)
28 27.9769265327 (20)
29 28.97649472 (3)
30 29.97377022 (5)
31 30.97536327 (7)
32 31.9741481 (23)
33 32.978001 (17)
34 33.978576 (15)
35 34.984580 (40)
36 35.98669 (11)
37 36.99300 (13)
38 37.99598 (29)
39 39.00230 (43)
40 40.00580 (54)
41 41.01270 (64)
42 42.01610 (75)
  
```

Z	Name	density(g/cm ³)	I(eV)
1	G4_H	8.3748e-05	19.2
2	G4_He	0.000166322	41.8
3	G4_Li	0.534	40
4	G4_Be	1.848	63.7
5	G4_B	2.37	76
6	G4_C	2	81
7	G4_N	0.0011652	82
8	G4_O	0.00133151	95
9	G4_F	0.00158029	115
10	G4_Ne	0.000838505	137
11	G4_Na	0.971	149
12	G4_Mg	1.74	156
13	G4_Al	2.699	166
14	G4_Si	2.33	173
15	G4_P	2.2	173
16	G4_S	2	180
17	G4_Cl	0.00299473	174
18	G4_Ar	0.00166201	188

Many elements defined

Ncomp	Name	density(g/cm ³)	I(eV)
6	G4_A-150_TISSUE	1.127	65.1
	1	0.101327	
	6	0.7755	
	7	0.035057	
	8	0.0523159	
	9	0.017422	
	20	0.018378	
3	G4_ACETONE	0.7899	64.2
	1	0.104122	
	6	0.620405	
	8	0.275473	
2	G4_ACETYLENE	0.0010967	58.2
	1	0.077418	
	6	0.922582	
3	G4_ADENINE	1.35	71.4
	1	0.037294	
	6	0.44443	
	7	0.518276	

Many materials provided

natural isotope compositions
more than 3000 isotope masses

C++

```

G4NistManager* man = G4NistManager::Instance();
G4Material *air = man->FindOrBuildMaterial("G4_AIR");
  
```

G4

```

/material/nist/printElement
/material/nist/listMaterials
  
```

* <http://physics.nist.gov/PhysRefData>

W3: Geometries !

Volumes - general aspects

Definition of materials

Definition shapes

All bricks together

Exportation / importation



G4VSolid to define the shape

All kind of shapes in G4 inherits from **G4VSolid**

It does not include the material

There are different ways to define a 3D shape

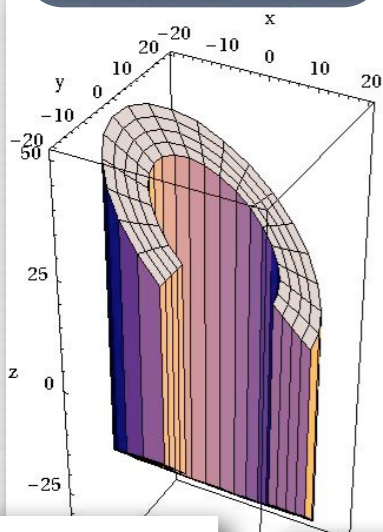
- CSG (Constructed Solid Geometry) solids
G4Box, G4Tubs, G4Cons, G4Trd, ...
- Specific solids (CSG like)
G4Polycone, G4Polyhedra, G4Hype, ...
- BREP (Boundary REPresented) solids
G4BREPSTolidPolycone, G4BSplineSurface, ...
Any order surface
- Boolean solids
G4UnionSolid, G4SubtractionSolid, ...



G4VSolid to define the shape

Constructed Solid Geometry (CSG) Solids

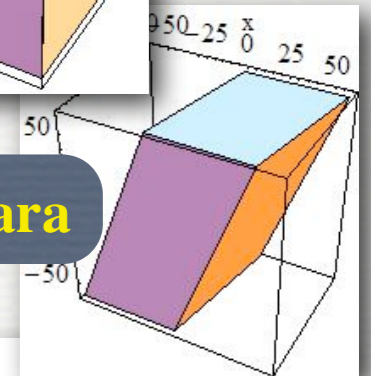
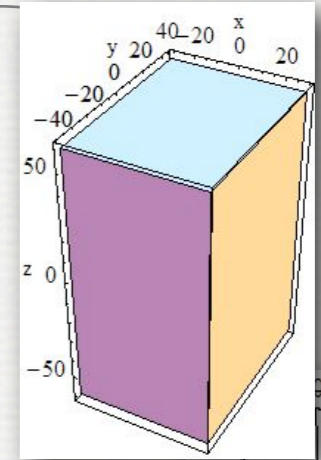
G4CutTubs



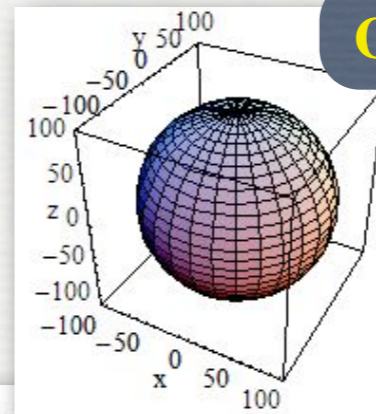
```
G4Box(const G4String &pname, // name
      G4double half_x, // X half size
      G4double half_y, // Y half size
      G4double half_z); // Z half size
```

- ☛ sometimes center at 0 or not
- ☛ be careful for exportation ...
- ☛ sometimes several constructors

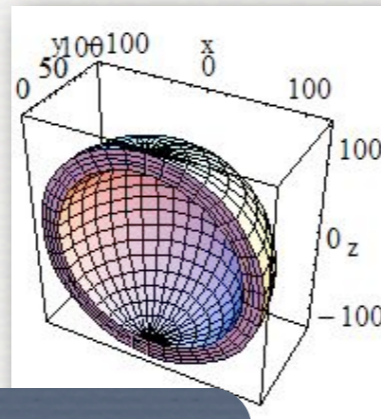
G4Para



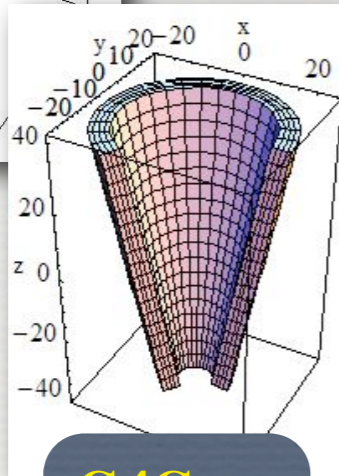
G4Orb



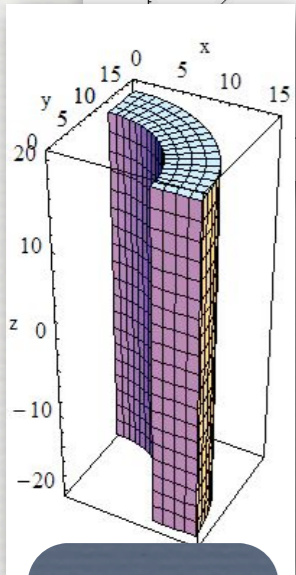
G4Sphere



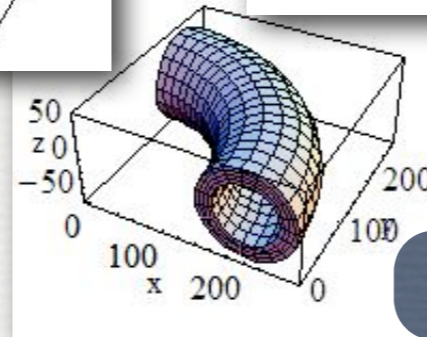
G4Cons



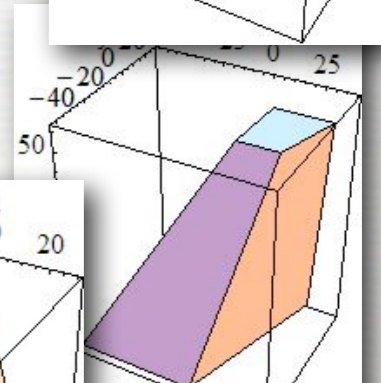
G4Tubs



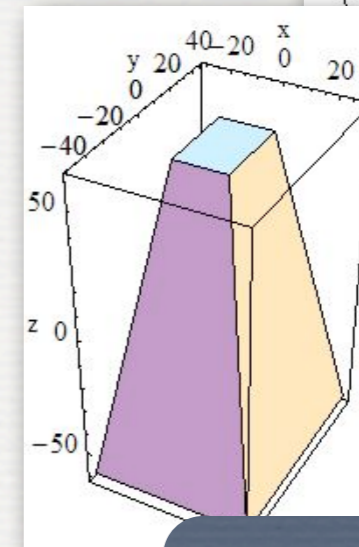
G4Torus



G4Trap



G4Trd





G4VSolid to define the shape

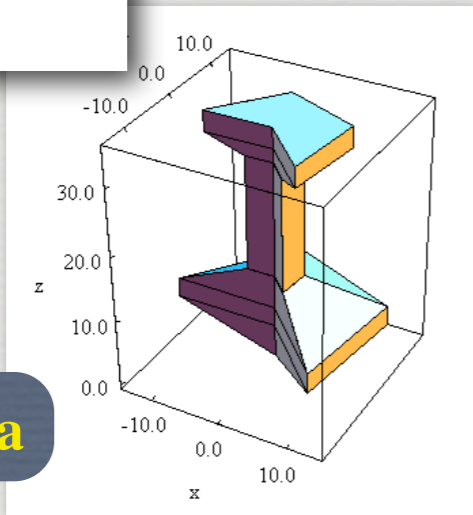
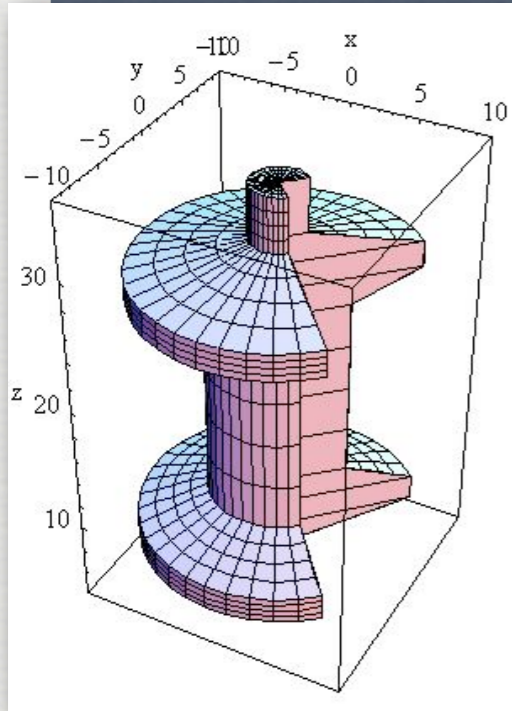
Constructed Solid Geometry (CSG) Solids

```

G4Polycone(const G4String& pName,
  G4double phiStart,
  G4double phiTotal,
  G4int numZPlanes,
  const G4double zPlane[],
  const G4double rInner[],
  const G4double rOuter[])
  
```

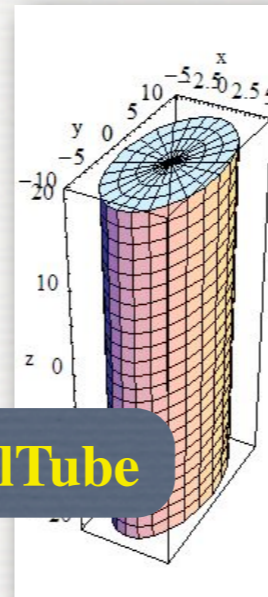
```

phiStart = 1/4*Pi, phiTotal = 3/2*Pi, numZPlanes = 9,
rInner = {0,0,0,0,0,0,0,0,0}, rOuter = {0,10,10,5,5,10,10,2,2},
z = {5,7,9,11,25,27,29,31,35}
  
```

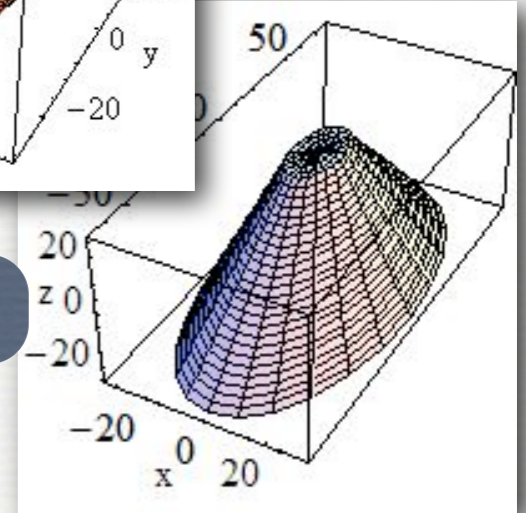


G4Polyhedra

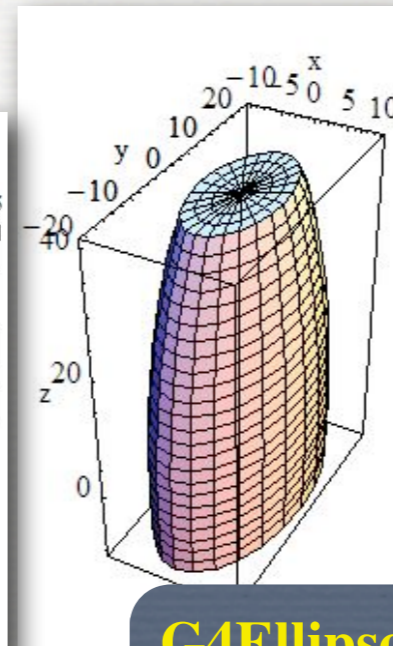
G4EllipticalTube



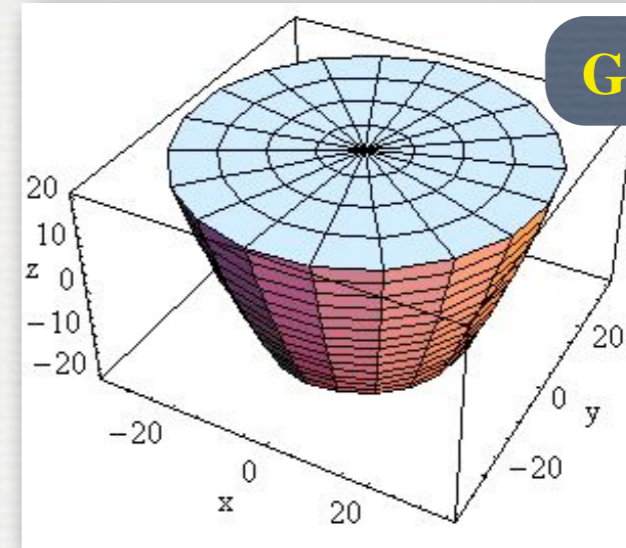
G4EllipticalCone



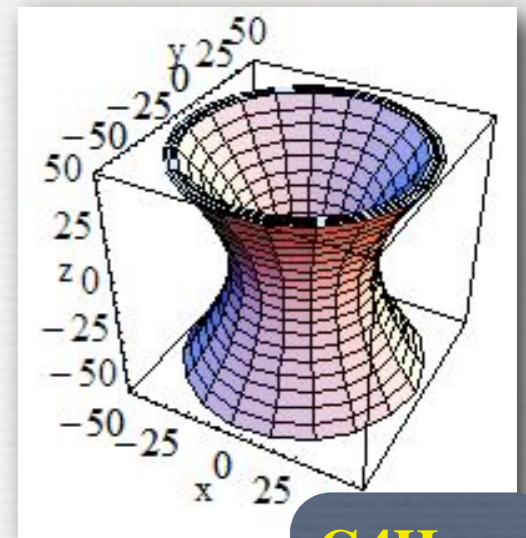
G4Ellipsoid



G4Paraboloid



G4Hype





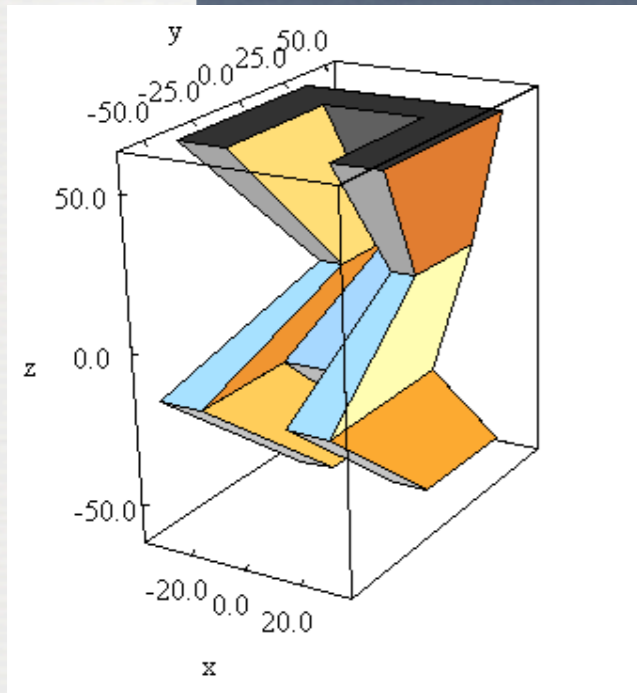
G4VSolid to define the shape

Constructed Solid Geometry (CSG) Solids

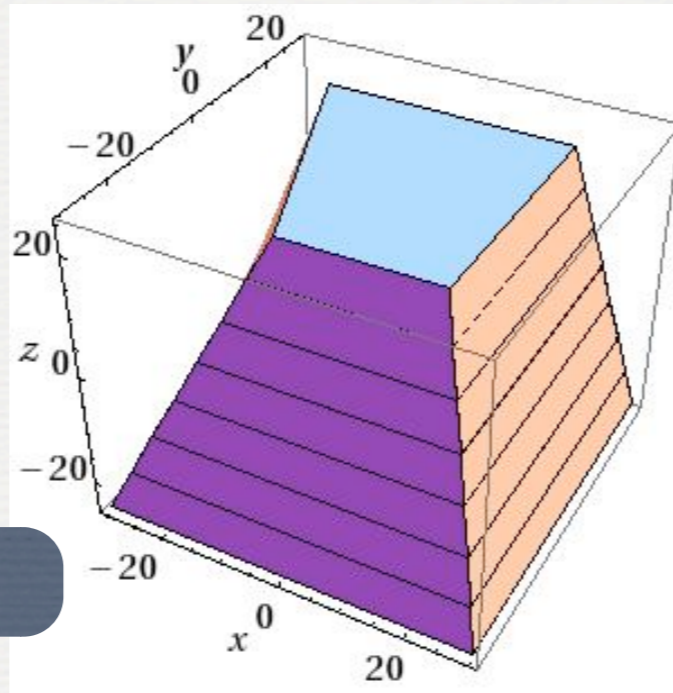
```
G4ExtrudedSolid(const G4String& pName,
std::vector<G4TwoVector> polygon,
std::vector<ZSection> zsections)
```

```

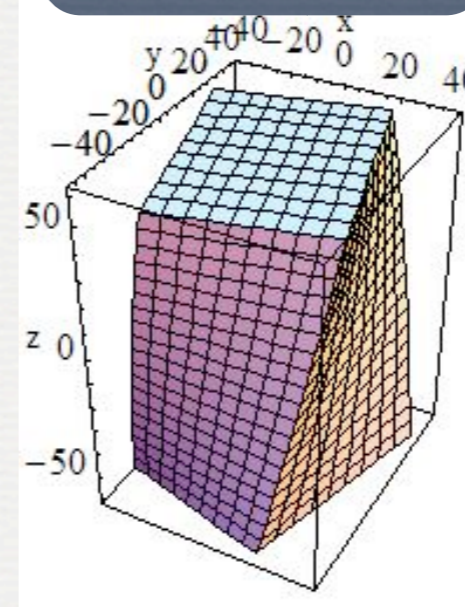
polygon={-30,-30},{-30,30},{30,30},{30,-30},{15,-30},{15,15},{-15,15},{-15,-30}
zsections=[-60,{0,30},0.8],[-15,{0,-30},1.],[10,{0,0},0.6],[60,{0,30},1.2]
```



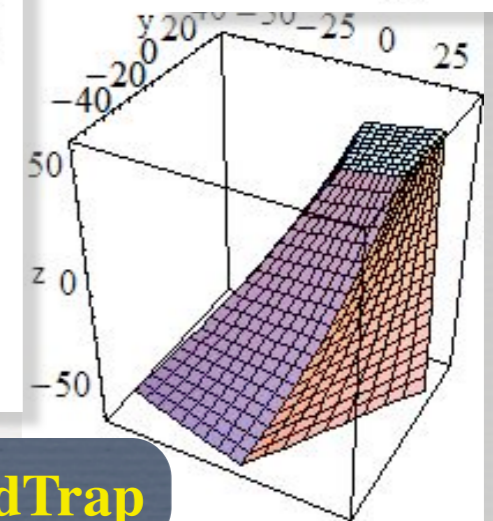
G4GenericTrap



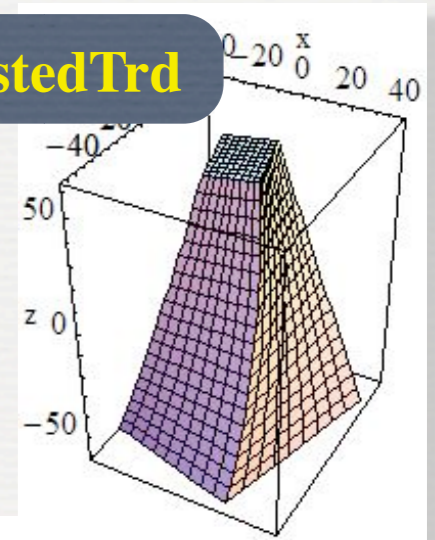
G4TwistedBox



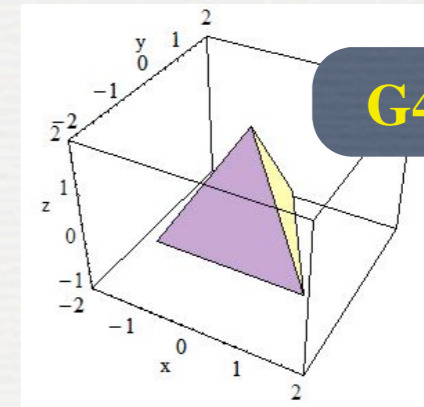
G4TwistedTrap



G4TwistedTrd



G4Tet



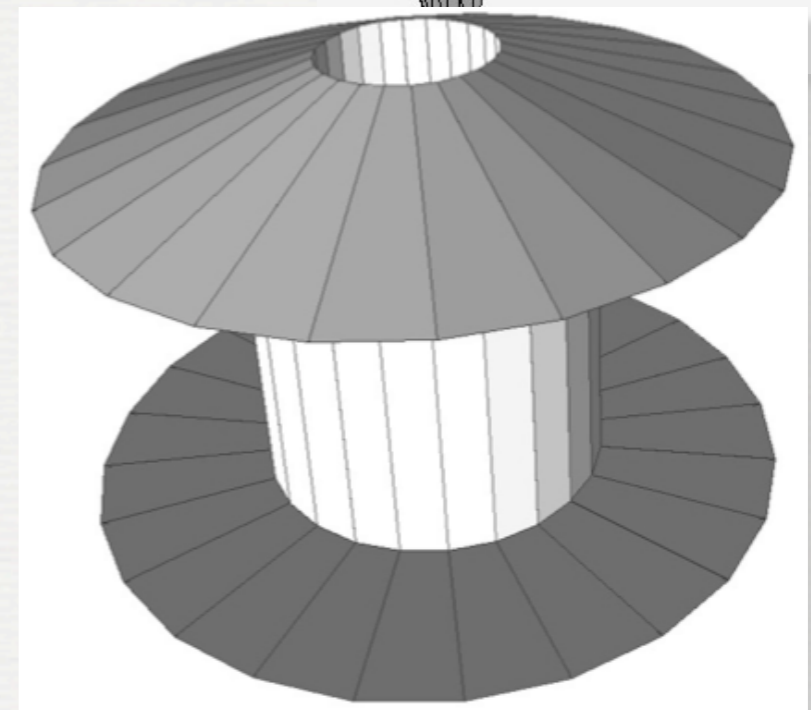
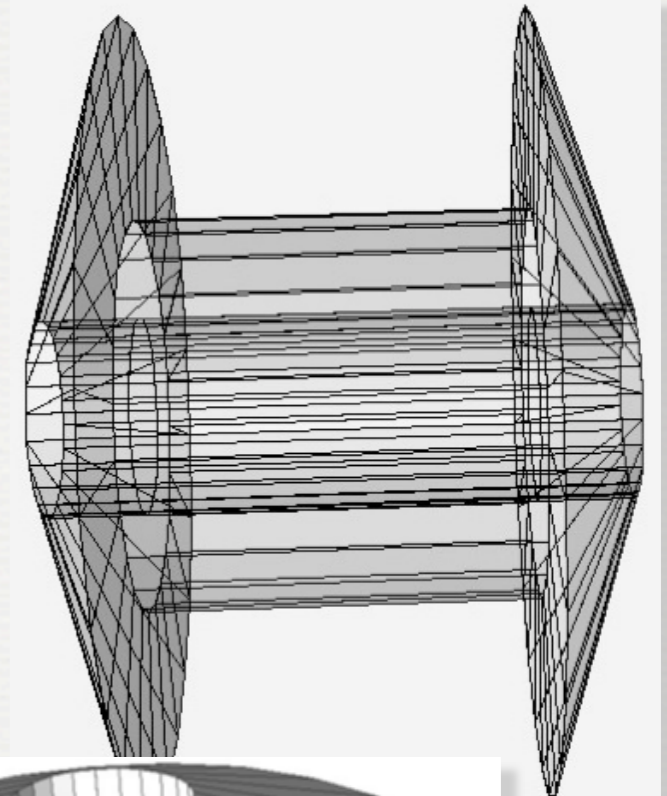


G4VSolid to define the shape

BREP (Boundary REPresented) Solids

- Listing all its surfaces specifies a solid
e.g. 6 planes for a cube
- Surfaces can be
planar, 2nd or higher order
 - ☛ elementary BREPS
Splines, B-Splines, NURBS (Non-Uniform B-Splines)
 - ☛ advanced BREPS
- Few elementary BREPS pre-defined
box, cons, tubs, sphere, torus, polycone, polyhedra
- Advanced BREPS built through CAD systems

```
G4BREPSolidPCone( const G4String& pName,  
                  G4double start_angle,  
                  G4double opening_angle,  
                  G4int num_z_planes, //sections,  
                  G4double z_start,  
                  const G4double z_values[],  
                  const G4double RMIN[],  
                  const G4double RMAX[] )
```





G4VSolid to define the shape

Boolean Solids

Solids can be combined using boolean operations:

G4UnionSolid, G4SubtractionSolid, G4IntersectionSolid

- Requirements: 2 solids, 1 boolean operation, and an (optional) transformation for the 2nd solid
- 2nd solid is positioned relative to the coordinate system of the 1st solid
- Result of boolean operation becomes a solid. Thus the third solid can be combined to the resulting solid of first operation.

Solids to be combined can be either CSG or other Boolean solids.

Note: tracking cost for the navigation in a complex Boolean solid is proportional to the number of constituent CSG solids



G4UnionSolid



G4SubtractionSolid



G4IntersectionSolid



G4VSolid to define the shape

Boolean Solids

```
G4VSolid* box = new G4Box("Box",50*cm,60*cm,40*cm);
G4VSolid* cylinder = new G4Tubs("Cylinder",0.,50.*cm,50.*cm,0.,2*M_PI*rad);
G4VSolid* union
    = new G4UnionSolid("Box+Cylinder", box, cylinder);

G4ThreeVector T(30.*cm,0.,0.);
G4VSolid* subtract
    = new G4SubtractionSolid("Box-Cylinder", box, cylinder,0, T);

G4RotationMatrix* rm = new G4RotationMatrix();
rm->RotateX(30.*deg);
G4ThreeVector Tr(0.,0.,0.);
G4VSolid* intersect
    = new G4IntersectionSolid("Box&&Cylinder", box, cylinder, rm, Tr);
```

With all the possibilities proposed in Geant4 to build shapes there are probably several ways to define a complex geometry

➡ be careful if you would like to export it ! [see gdml section]

W3: Geometries !

Volumes - general aspects

Definition of materials

Definition shapes

All bricks together

Exportation / importation



How to define the World Volume

```
G4NistManager *man = G4NistManager::Instance();
G4PVPlacement *matWorld = man->FindOrBuildMaterial("G4_AIR");

// use a physical as a container to describe the detector
detWorld = new G4Box("BWorld", 10.*m, 10.*m, 50.*m);
detlogicWorld = new G4LogicalVolume(detWorld, matWorld, "LWorld", 0, 0, 0);
```

material

Shape

↳ Logical world is a box made of air ... it is also hidden ...

```
detlogicWorld->SetVisAttributes(G4VisAttributes::Invisible); // hide the world
```

```
// Must place the World Physical volume unrotated at (0,0,0).
thePhysWorld = new G4PVPlacement(0, // no rotation
                                G4ThreeVector(), // no translation
                                detlogicWorld, // its logical volume
                                "PWorld", // its name
                                0, // its mother volume
                                false, // no boolean operations
                                -1); // copy number
```

Place the World,
No mother,
No rotation
No translation



Adding daughter volumes to the World

- A volume is placed in its mother volume
 - Position, rotation of the daughter is described with respect to the local coordinate system of the mother
 - The origin of the mother's local coordinate system is at the center of the mother volume
 - Daughter volumes cannot **protrude** from the mother volume, Daughter volumes cannot **overlap**
 - ➔ User's responsibility to check this, some tools are provided
 - graphical widows [hepRApp, Qt]
 - dedicated commands

```
/vis/ASCIITree/verbose 11  
/vis/drawTree
```

```
/geometry/test/run or geometry/test/grid_test  
check for overlapping regions based on a standard grid setup, limited to the first depth level  
/geometry/test/recursive_test  
applies the grid test to all depth levels (may require lots of CPU time!)
```

```
/geometry/test/line_test  
to shoot a line along a specified direction and position
```

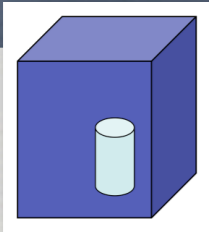
- The logical volume of mother knows the daughter volumes it contains
 - It is uniquely defined to be their mother volume
- One logical volume can be placed more than once. One or more volumes can be placed in a mother volume
- The mother-daughter relationship is an information of **G4LogicalVolume**
 - If the mother volume is placed more than once then all daughters by definition appear in each placed physical volume
- The **world** volume must be a unique physical volume, it fully contains (with margin) all the other volumes
 - The world defines **the global coordinate system**, which origin is at the center of the world volume
 - Position of a track is given with respect to the global coordinate system



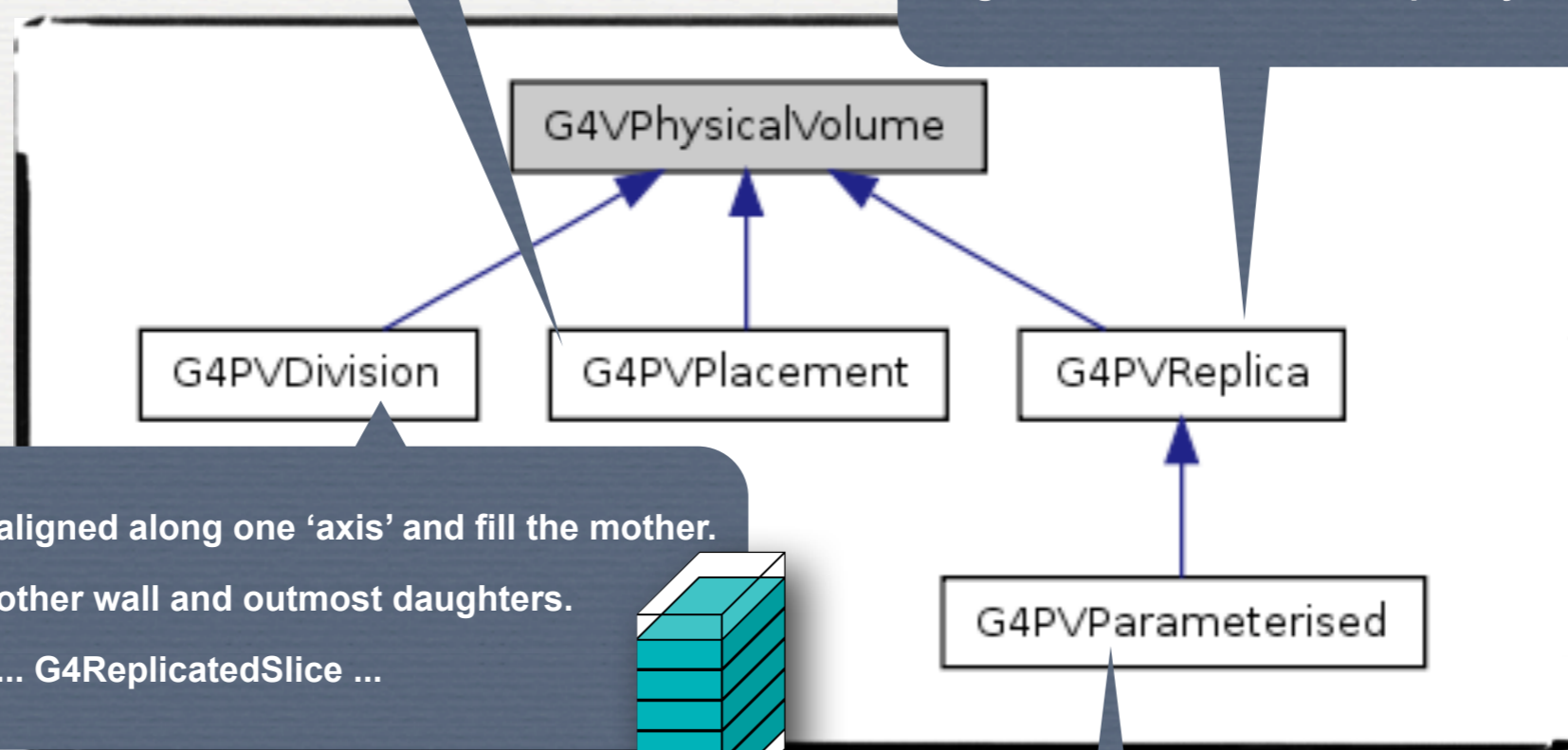
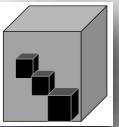
Adding daughter volumes to the World

There are different ways to create physical (placed) volumes

A volume instance positioned once in its mother volume



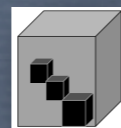
Daughters of same shape are aligned along one 'axis'
Daughters fill the mother completely without gap in between.



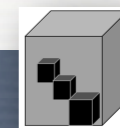
Daughters of same shape are aligned along one 'axis' and fill the mother.
There can be gaps between mother wall and outmost daughters.
No gap in between daughters ... G4ReplicatedSlice ...



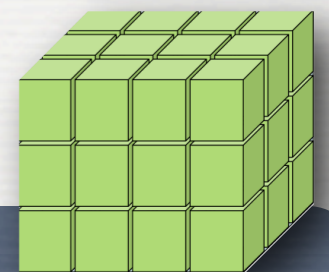
+ **G4AssemblyVolume:**
to make snapshot of a complex volume at given position, rotation
+ **G4ReflexionFactory:**
a pair of volume, useful typically for end-cap calorimeter



Reduction of memory consumption



Currently: parameterization can be used only for volumes that either
- have no further daughters,
- are identical in size, shape (so that grand-daughters are safely fit inside)





Adding daughter volumes to the World

```
// Now add a blue cube to the world
```

```
G4Box *asolidBox;  
G4LogicalVolume *alogicBox;  
G4VPhysicalVolume *aphysiBox;  
G4VisAttributes *visatt;
```

```
asolidBox = new G4Box("BlueCube",Side/2.,Side/2.,Side/2.);  
alogicBox = new G4LogicalVolume(asolidBox, CubeMaterial, "LBlueCube", 0, 0, 0);
```

```
// the cube is blue
```

```
visatt = new G4VisAttributes( G4Colour(0.0, 0.0, 1.0) );  
visatt->SetVisibility(true);  
alogicBox->SetVisAttributes( visatt );
```

```
aphysiBox = new G4PVPlacement(  
    0,  
    G4ThreeVector(X_Center, Y_Center, Z_Center),  
    alogicBox,  
    "PBlueCube",  
    logicWorld,  
    false,  
    0);
```

```
// no rotation  
// at (X_Center,Y_Center,Z_Center)  
// the blue cube logical volume  
// the physical blue cube name  
// its mother volume  
// no boolean operations  
// copy number
```

user's limits

magnetic fields

last workshop #4

last workshop #4

W3: Geometries !

Volumes - general aspects

Definition of materials

Definition shapes

All bricks together

Exportation / importation



GDML: exportation / importation

- Geometries can be saved in XML (gdml) files
- XML is widely used in computer applications since:
 - ➔ it is human readable (html like)
 - ➔ it is structured, with ways to check the schema is correct
 - ➔ the schema is defined consistently using xml language!
 - ➔ GDML* is an extension for 3D geometries
- ➔ It is a format to exchange geometries between framework
- ➔ BUT it could also be used to define new geometries
(without C++ knowledge)

human readable !

➔ GDML is also the bridge to import CAD files ...

<http://geant4.web.cern.ch/geant4/UserDocumentation/UsersGuides/ForApplicationDeveloper/html/ch04.html#sect.Geom.Solids>

➔ see section 4.1.2.4. Tessellated Solids

* Geometry Description Markup Language



GDML: exportation / importation

define gdml schema

```
<?xml version="1.0" encoding="UTF-8" standalone="no" ?>  
<gdml xmlns:xsi="http://www.w3.org/2001/XMLSchema-instance" xsi:noNamespaceSchemaLocation  
      ="http://service-spi.web.cern.ch/service-spi/app/releases/GDML/schema/gdml.xsd">
```

```
<define/>
```

```
<materials>  </materials>
```

```
<solids>
```

```
  <box lunit="mm" name="LaBr3" x="50.8" y="50.8" z="50.8"/>
```

```
  <box lunit="mm" name="NaI" x="50.8" y="50.8" z="152.4"/>
```

```
  <box lunit="mm" name="ParisPW_2-bare" x="200" y="200" z="1000"/>
```

```
</solids>
```

```
<structure>
```

```
  <volume name="PW:0">
```

```
    <materialref ref="LaBr3"/>
```

```
    <solidref ref="LaBr3"/>
```

```
  </volume>
```

```
  <volume name="PW:1">
```

```
    <materialref ref="NaI"/>
```

```
    <solidref ref="NaI"/>
```

```
  </volume>
```

```
  <volume name="ParisPW_2-bare">
```

```
    <materialref ref="Air"/>
```

```
    <solidref ref="ParisPW_2-bare"/>
```

```
    <physvol name="PW:0">
```

```
      <volumeref ref="PW:0"/>
```

```
      <position name="PW:0_pos" unit="mm" x="0" y="0" z="25.9"/>
```

```
    </physvol>
```

```
    <physvol name="PW:1">
```

```
      <volumeref ref="PW:1"/>
```

```
      <position name="PW:1_pos" unit="mm" x="0" y="0" z="127.5"/>
```

```
    </physvol>
```

```
  </volume>
```

```
</structure>
```

```
<setup name="Default" version="1.0">
```

```
  <world ref="ParisPW_2-bare"/>
```

```
</setup>
```

```
</gdml>
```

Shape

Logical Volume

Physical Volume

Translation, rotation if any

the top volume, the World !



GDML: exportation / importation

define gdml schema

```

<materials>
  <isotope N="138" Z="57" name="La138">
    <atom unit="g/mole" value="137.907"/>
  </isotope>
  <isotope N="139" Z="57" name="La139">
    <atom unit="g/mole" value="138.906"/>
  </isotope>
  <element name="Lanthanum">
    <fraction n="0.0009" ref="La138"/>
    <fraction n="0.9991" ref="La139"/>
  </element>
</materials>

<structure>
  <volume name="PW:0">
    <materialref ref="LaBr3"/>
    <solidref ref="LaBr3"/>
  </volume>
  <volume name="PW:1">
    <materialref ref="NaI"/>
    <solidref ref="NaI"/>
  </volume>
  <volume name="ParisPW_2-bare">
    <materialref ref="Air"/>
    <solidref ref="ParisPW_2-bare"/>
    <physvol name="PW:0">
      <volumeref ref="PW:0"/>
      <position name="PW:0_pos" unit="mm" x="0" y="0" z="25.9"/>
    </physvol>
    <physvol name="PW:1">
      <volumeref ref="PW:1"/>
      <position name="PW:1_pos" unit="mm" x="0" y="0" z="127.5"/>
    </physvol>
  </volume>
</structure>

<setup name="Default" version="1.0">
  <world ref="ParisPW_2-bare"/>
</setup>
</gdml>

```

Shape

Logical Volume

Physical Volume

Translation, rotation if any

the top volume, the World !



GDML: exportation / importation

define gdml schema

```
<?xml version="1.0" encoding="UTF-8" standalone="no" ?>  
<gdml xmlns:xsi="http://www.w3.org/2001/XMLSchema-instance" xsi:noNamespaceSchemaLocation  
      ="http://service-spi.web.cern.ch/service-spi/app/releases/GDML/schema/gdml.xsd">
```

```
<define/>
```

```
<materials>  </materials>
```

```
<solids>
```

```
  <box lunit="mm" name="LaBr3" x="50.8" y="50.8" z="50.8"/>
```

```
  <box lunit="mm" name="NaI" x="50.8" y="50.8" z="152.4"/>
```

```
  <box lunit="mm" name="ParisPW_2-bare" x="200" y="200" z="1000"/>
```

```
</solids>
```

```
<structure>
```

```
  <volume name="PW:0">
```

```
    <materialref ref="LaBr3"/>
```

```
    <solidref ref="LaBr3"/>
```

```
  </volume>
```

```
  <volume name="PW:1">
```

```
    <materialref ref="NaI"/>
```

```
    <solidref ref="NaI"/>
```

```
  </volume>
```

```
  <volume name="ParisPW_2-bare">
```

```
    <materialref ref="Air"/>
```

```
    <solidref ref="ParisPW_2-bare"/>
```

```
    <physvol name="PW:0">
```

```
      <volumeref ref="PW:0"/>
```

```
      <position name="PW:0_pos" unit="mm" x="0" y="0" z="25.9"/>
```

```
    </physvol>
```

```
    <physvol name="PW:1">
```

```
      <volumeref ref="PW:1"/>
```

```
      <position name="PW:1_pos" unit="mm" x="0" y="0" z="127.5"/>
```

```
    </physvol>
```

```
  </volume>
```

```
</structure>
```

```
<setup name="Default" version="1.0">
```

```
  <world ref="ParisPW_2-bare"/>
```

```
</setup>
```

```
</gdml>
```

Shape

Logical Volume

Physical Volume

Translation, rotation if any

the top volume, the World !



GDML: exportation / importation

export the world from G4 into a gdml file

import the world into G4 from a gdml file

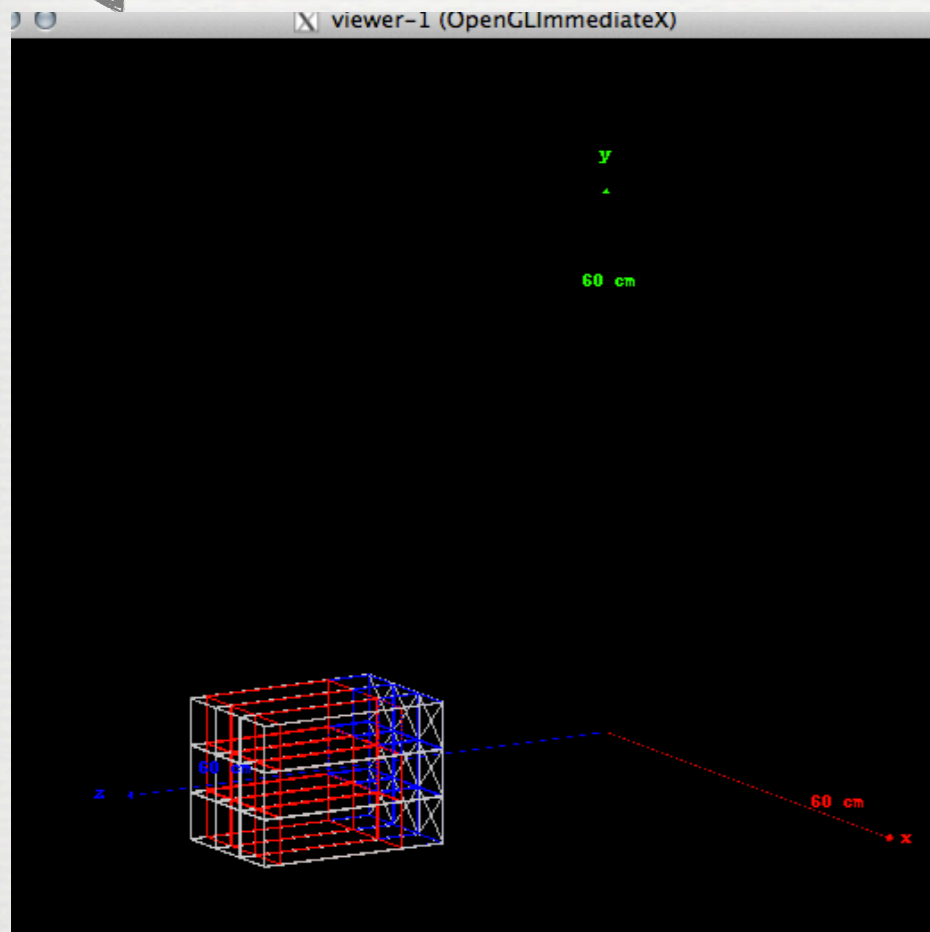
```
#include "G4GDMLParser.hh"
...
G4VPhysicalVolume *world; // this is the world
...
G4GDMLParser parser;
// write
parser.Write("myGDML.gdml", world, false);
```

```
#include "G4GDMLParser.hh"
...
G4VPhysicalVolume *world; // this is the world
G4GDMLParser parser;
parser.Read("myGDML.gdml", false);

world = parser.GetWorldVolume();
```

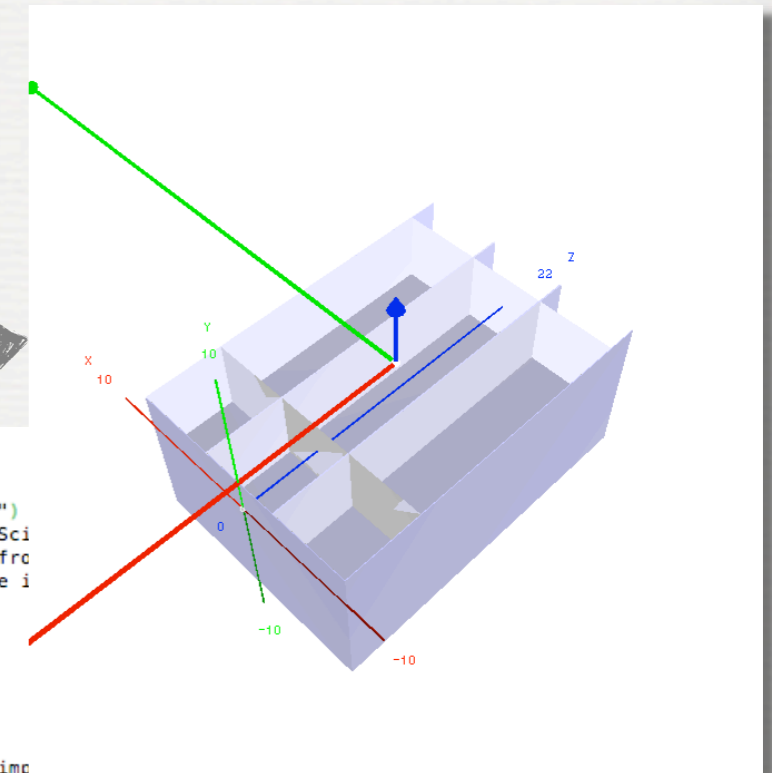
It requires
Geant4
GDML module!

☹ Attributes (colors, sensitivity ...) are not saved in gdml files ... there are way to pass the information



ROOT reads GDML files
only if
gdml module is compiled

```
CINT/ROOT C/C++ Interpreter version 5.18.00, July 2, 2010
Type ? for help. Commands must be C++ statements.
Enclose multiple statements between { }.
root [0] TGeoManager::Import("DetectorFactory/Scintillators/CParisPW_2.gdml")
Info in <TGeoManager::Import>: Reading geometry from file: DetectorFactory/Sci
Info in <TGeoManager::TGeoManager>: Geometry GDMLImport, Geometry imported fro
Info in <TGeoManager::SetTopVolume>: Top volume is CParisPW_2. Master volume i
Info in <TGeoNavigator::BuildCache>: --- Maximum geometry depth set to 100
Info in <TGeoManager::CheckGeometry>: Fixing runtime shapes...
Info in <TGeoManager::CheckGeometry>: ...Nothing to fix
Info in <TGeoManager::CloseGeometry>: Counting nodes...
Info in <TGeoManager::Voxelize>: Voxelizing...
Info in <TGeoManager::CloseGeometry>: Building cache...
Info in <TGeoManager::CountLevels>: max level = 1, max placements = 27
Info in <TGeoManager::CloseGeometry>: 28 nodes/ 4 volume UID's in Geometry imp
Info in <TGeoManager::CloseGeometry>: -----modeler ready-----
(class TGeoManager*)0x7f99e1869e00
root [1] gGeoManager->GetTopVolume()->Draw("ogl")
Info in <TCanvas::MakeDefCanvas>: created default TCanvas with name c1
```





The user's application

TODO List

- Build the following setup:

The World is composed of air.

The setup is a target composed of lead, placed at center of the World:

target [box 10cm cube]

And three detectors composed of BGO, placed at 60 cm from the target:

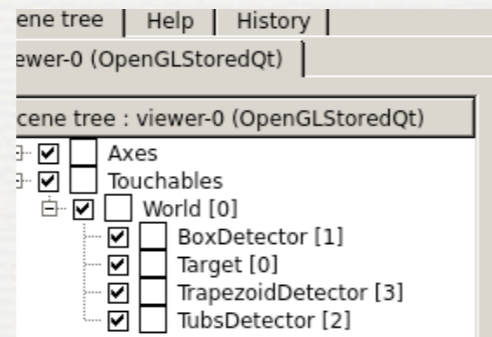
a box [10 cm square, 5 cm depth] in the beam direction

a tube detector 5cm radius, 10cm long rotated by 60 degrees with respect to the beam direction

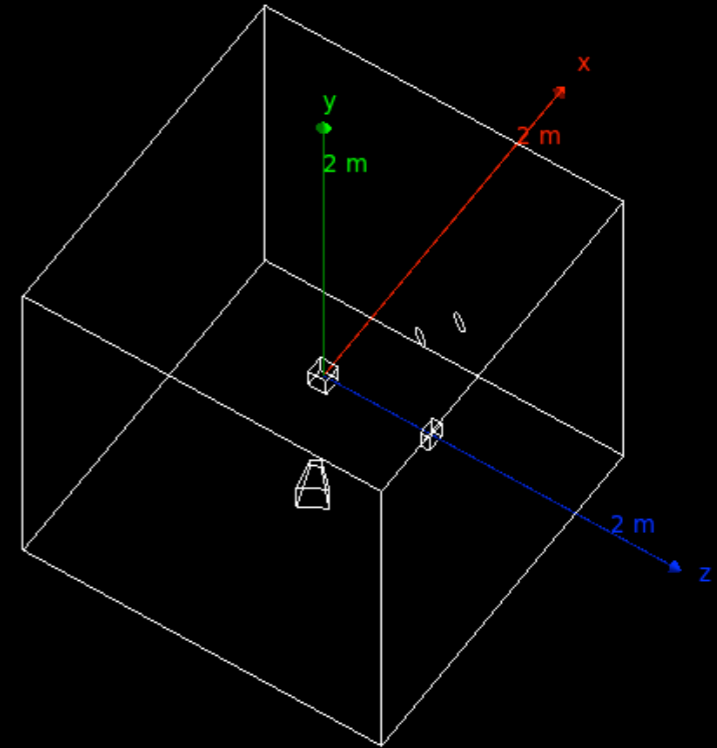
a trapezoid detector, face 5cm², back 15cm² depth 10cm rotated by -60 degrees with respect to the beam direction

- Modify the main program to save the geometry in a .gdml file
load the geometry in root and check it
- Built your own detector !

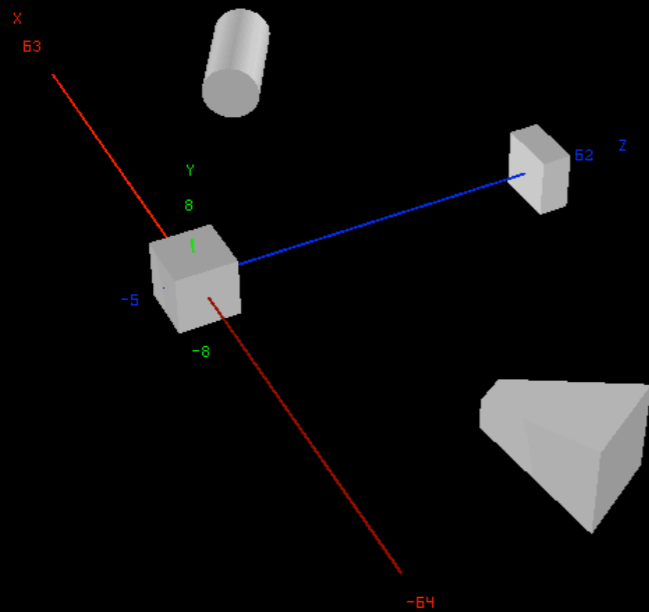
The user's application



In G4, using QT



In root, after gdm1 exportation





Conclusions of W3

We have seen:

- how to build a geometry
 - ↳ from isotopes to materials
 - ↳ from shapes by logical volumes to physical volumes
 - how to use check the geometry validity
 - ↳ command line
 - ↳ using Graphical tools including export / import
 - More information could be added to geometries
 - ↳ one can make some sensitive
 - ↳ copy number is important
- } see last workshop !